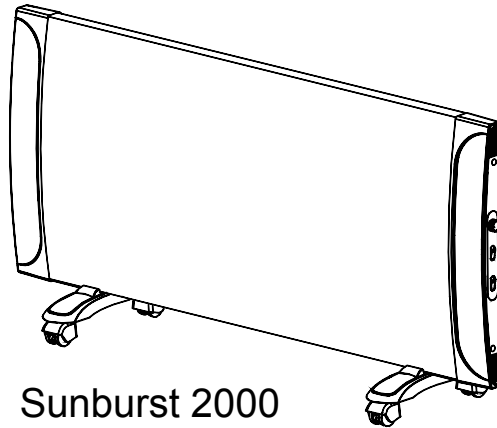
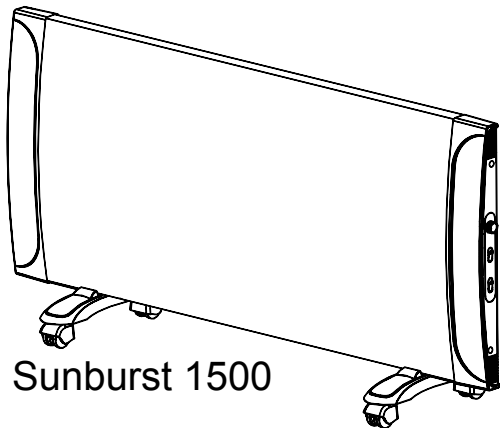


ducasa

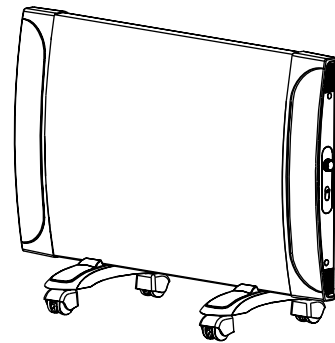
The “Sunburst”



Sunburst 2000

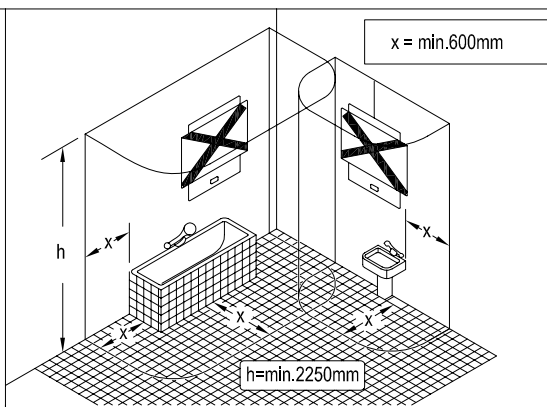
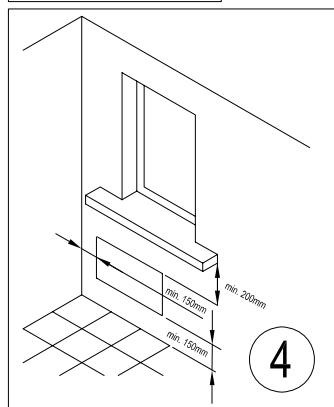
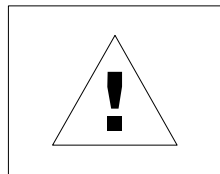
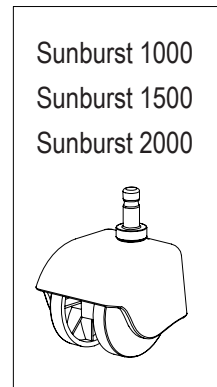
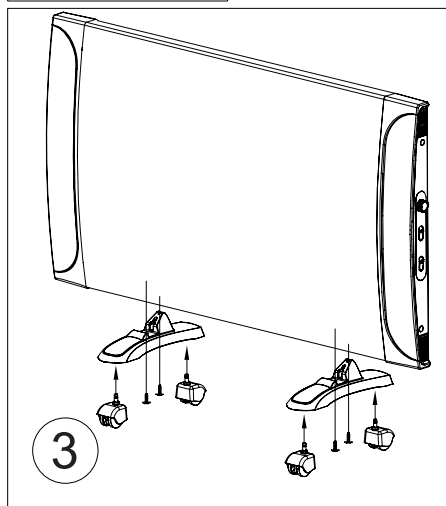
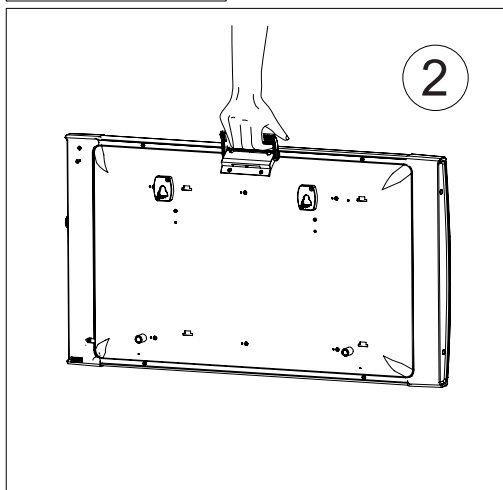
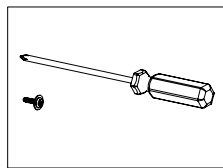
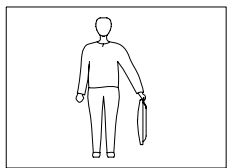
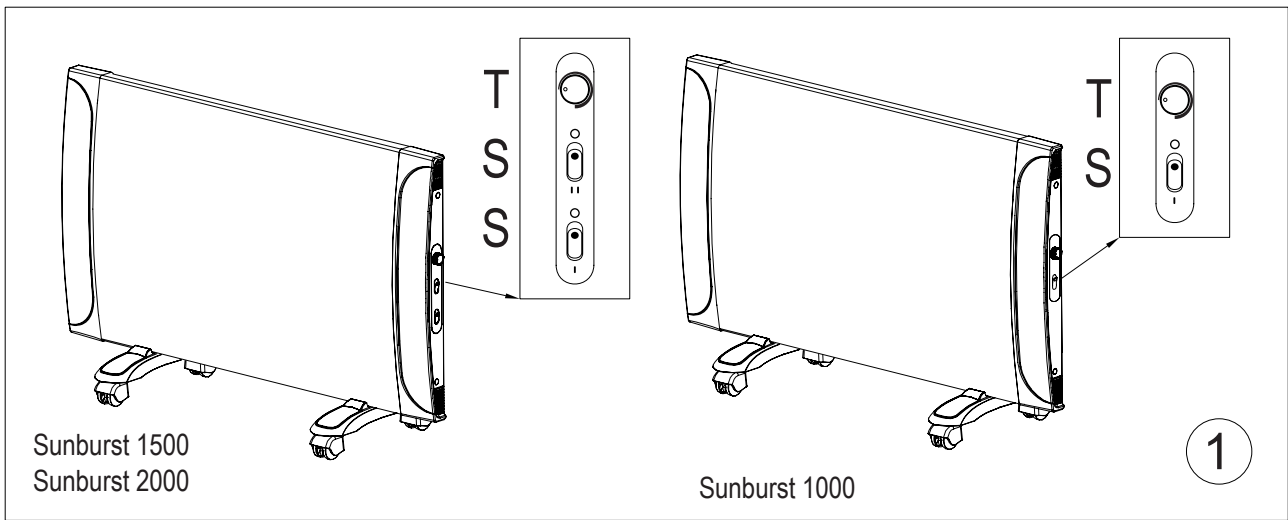


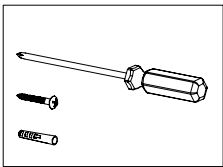
Sunburst 1500



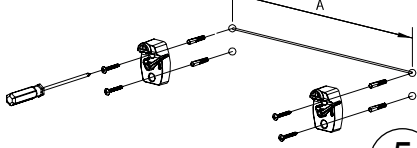
Sunburst 1000

Operating Instructions

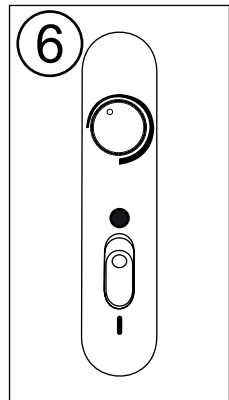
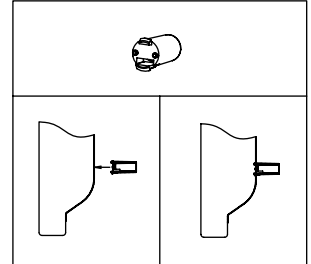
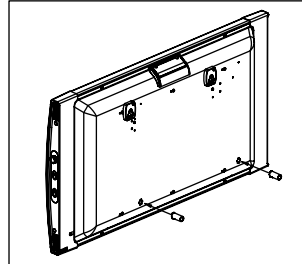
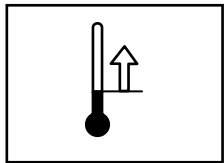
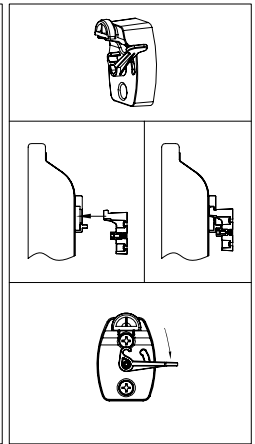
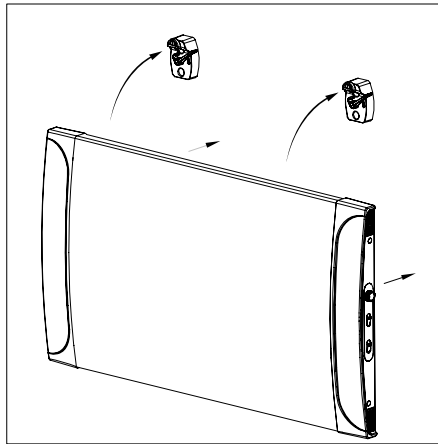
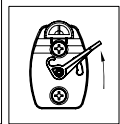




Sunburst 1000: A=300mm.
Sunburst 1500: A=320mm.
Sunburst 2000: A=600mm.

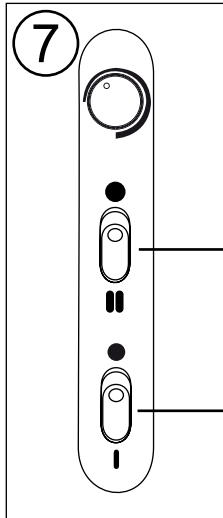


5



Sunburst 1000:
1000W

T
S

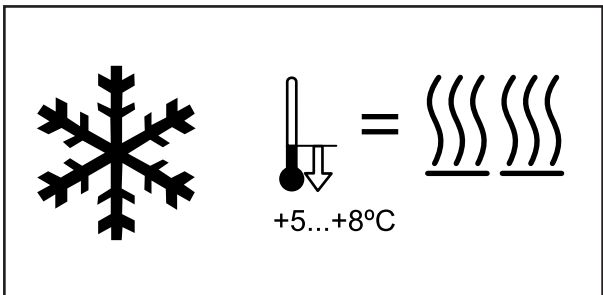


Sunburst 2000:
750W / 1250W /
2000W

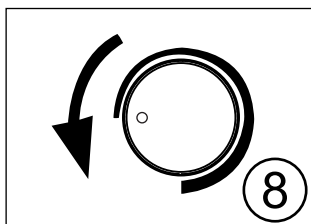
Sunburst 1500:
500W / 1000W /
1500W

T
S
S

B
A



(A)	(B)	Sunburst 1500	Sunburst 2000
0	0	OFF	OFF
I	0	500W	750W
0	II	1000W	1250W
I	II	1500W	2000W



Hot surface symbol
The temperature of accessible surfaces may be high when the appliance is operating.



WARNING: IN ORDER TO AVOID OVERHEATING, DO NOT COVER THE HEATER.
The heater carries the Warning symbol indicating that it must not be covered.

Dear Customer,

Please read the following information carefully before using the appliance for the first time for your own safety and to ensure correct use.

Attention! The appliance may only be used for normal domestic use and not for industrial purposes.

The heat radiated by this appliance is not harmful to humans, animals and plants. The heat is distributed evenly, noiseless and odourless within the room and provides a feeling of well-being and relaxation.

Important Safety Advices

- The appliance must only be used as described in the instructions for use! Use for any other purpose is forbidden! Any damage resulting from improper use and nonobservance of the safety information will invalidate any liability and warranty!
- All liability is disclaimed for any frost damage caused by a heating capacity that is insufficient for the room size, bad heat insulation of the room, incorrect use or force majeure (e.g. power failure).
- Only connect the appliance to A.C. mains as specified on the rating plate!
- Never touch live parts! **Danger to life!**
- Never operate the appliance with wet hands! **Danger to life!**
- The appliance must be placed in a way that the control elements cannot be touched by persons who are in bath, shower, or any other water-filled receptacle.
- The appropriate regulations of the country regarding installation of electrical equipment in such areas must be adhered to!
- The appliance is splash-proof and may be used in bathrooms, however, not in the immediate vicinity of baths, showers, water connections, washbasins or swimming pools.
- The appliance is not for outdoor use.
- The appliance must only be stored indoors!
- Never use the appliance if the appliance or cord is damaged. **Risk of injury!**
- Check the power cord regularly for damage.
- If the power cord or if the appliance is damaged to the extent that electrical parts are exposed, disconnect it immediately from the mains and see your authorised retailer!
- The appliance may only be opened up and repaired by authorised qualified personnel.**
- Do not store or use any flammable materials or sprays in the vicinity of the appliance when the appliance is in use. **Fire hazard!**
- Do not use the appliance in flammable atmospheres (e.g. in the vicinity of combustible gases or spray cans)! **Explosion and fire hazard!!**
- The appliance should not be used in areas which are a fire risk, such as garages, stables, or wooden sheds.
- Important!** Do not insert any foreign objects into the appliance openings! Risk of injury (electric shock) and damage to the appliance!
- Place the appliance so that it cannot be touched by accident. **Risk of burns!**
- The appliance will cool down gradually after being switched off.
- Do not place any items of clothing, towels or similar on the appliance to dry! **Overheating and fire hazard!**
- If the appliance is connected to permanent wiring a qualified electrician must be consulted to ensure all relevant regulations are adhered to.
- The appliance is not intended for use by young children or infirm persons without supervision!
- Young children should be supervised to ensure that they do not play with the appliance!
- The socket-outlet must be accessible at all times to enable the mains plug to be disconnected as quickly as possible!
- The appliance is not suitable for animal breeding purposes!
- The instruction leaflet belongs to the appliance and must be kept in a safe place.
- When changing owners, the leaflet must be surrendered to the new owner!
- Attention!** To avoid any danger due to unintentionally

resetting the thermal cut-out, the appliance must not be supplied by a plug in timer.

Packaging

- After unpacking the appliance, check the same for transport damage and the contents for completeness! In the event of damage or an incomplete delivery, contact your authorised retailer!
- Do not discard the original box! It can be used for storage and dispatch to avoid transport damage!
- Dispose of the packaging material in a proper manner! Plastic bags should be kept away from children!

Location see pict. 4

- The appliance should be placed with a minimum distance of **50cm**. from flammable objects, walls or other structures! The appliance openings must not be obstructed in any way!
- Do not place the appliance on instable surfaces (e.g. a bed), where it can tip over!
- The appliance must not be located below a socket outlet!

Wall Mounting see pict. 5

- Mark the position of the heater brackets on the wall.
- Mark & drill holes, set plugs and fasten the heater brackets onto the wall.
- Unlock the heater brackets by lifting up the lever.
- Fit plastic spacers to back of heater.
- Hang appliance by positioning the heater brackets at the back of the appliance
- Lock the heater brackets into place by pushing down the lever.

In order to remove appliance, please lift up the lever of the heater brackets.

Attention! The appliance will then move upwards.

Remove appliance.

- The appliance can only be wall-mounted, if the feet have been removed.
- The minimum distances must be observed.
- For installation of the appliance, care must be taken not to damage concealed cables.
- Please be careful while drilling the holes.
- The appliance may only be operated when mounted horizontally on a wall.
- The appliance is not suitable for ceiling mounting.
- Only switch on the appliance when installation is complete.

Power Cord

- Only use an approved extension cord that is suitable for the appliance rating!
- Position the power cord so that it does not pose a tripping hazard and possibly cause the appliance to be knocked over.
- The power cord must not come into contact with hot appliance parts!
- Never pull the plug out of the socket at the cord!
- Never move the appliance by pulling at the cord or use the cord for carrying purposes!
- Do not coil the cord around the appliance! Do not use the appliance with the cord coiled!

This applies particularly if a cable drum is used.

- Do not crush the cord or drag it over sharp edges. Do not place it over heated hotplates or naked flames!

Start Up

- After switching on the appliance for the first time and after an extended period of non-use, a smell may be noticed for a short time.
- To use, insert the plug in the socket.

Attention! When using the appliance freestanding, the feet must be fitted prior to use.

see pict. 3

Fitting rollers see pict. 3

Switch (S) see pict. 6-7

With the switch (S) the power setting can be selected.

Thermostat (T) see pict. 6-8

In order to maintain a certain room temperature, turn the controller clockwise to its maximum position. Operate the

appliance at full power until the required room temperature is reached. Set back the thermostatic controller until the appliance switches off with an audible "click". This temperature will be kept almost constant by the thermostatic control switching on and off automatically.

Please note that the appliance can only be switched on when the thermostat setting is higher than the room temperature.

Transport see pict. 2

The appliance is provided with a handle for easy carrying.

Frost protection see pict. 8

Set the controller (T) anticlockwise to its minimum position and the controller (S) to the required heating output.

When the temperature falls below +5 °C... +8 °C, the appliance switches on automatically.

Overheat cut-out

The built-in overheat cut-out switches off the appliance automatically in the event of a fault! To reset the heater please switch off the appliance (set switch to "O" and set the thermostat clockwise to its minimum position) or disconnect the mains plug from the socket. After a short cooling down phase, the appliance is ready to use again! If the fault should occur again, contact your supplier.

Cleaning

- Switch off the appliance first and disconnect the plug from the socket!
- Clean the housing with a moist cloth, vacuum cleaner or brush.
- Do not use any abrasive or caustic cleaning agents!
- Do not use any flammable cleaning agents e.g. petrol or spirit for cleaning the appliance.
- Never immerse the appliance in water! **Danger to life!**
- If the appliance is not used for extended periods, it must be protected against excessive dust and dirt.
- The outlet grille may become discoloured with use. This is caused by airborne pollution and is not a fault.

Correct Disposal of This Product

WEEE (Waste Electrical & Electronic Equipment)

Applicable in the European Union and other European countries with separate collection systems



This marking shown on the product or its literature, indicates that it should not be disposed of with other household wastes at the end of its working life.

To prevent possible harm to the environment or human health from uncontrolled waste disposal, please separate this from other types of wastes and recycle it responsibly to promote the sustainable reuse of material resources.

Household users should contact either the retailer where they purchased this product, or their local government office, for details of where and how they can take this item for environmentally safe recycling.

Business users should contact their supplier and check the terms and conditions of the purchase contract. This product should not be mixed with other commercial wastes for disposal.

- Worn out appliances must be made unusable by cutting through the power cord.

Guarantee details

Your appliance is guaranteed for 2 years from the date of purchase - during this time - we will repair or exchange defective parts providing the appliance has been used in accordance with the operating and installation instructions and has not been misused in any way.

Any unauthorised repair or attempted repair will invalidate the guarantee.

In the unlikely event of a problem with your heater please contact with you supplier.

PRC-T is compatible with the Ducasa DT1-Digital Timer