

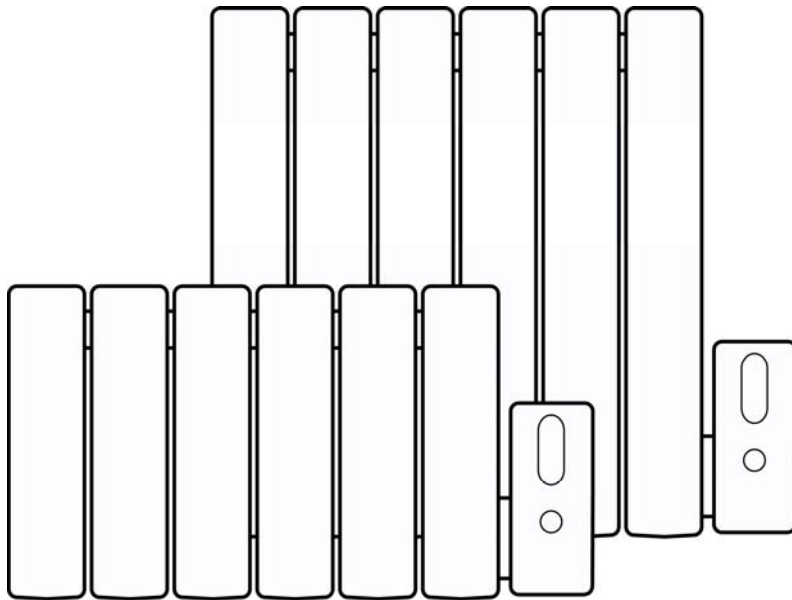
ducasa

RICHMOND DP/DPL

Thermal Electric Radiator

Instructions for Operating and Installation

(Read these instructions carefully and retain for future reference)



Models:

DP	600
DP	800
DP	1000
DP	1300
DP	1500
DPL	600
DPL	1000
DPL	1500

NOTE:

A qualified electrician must carry out the electrical installation of this radiator. The Electrical installation must comply with current UK regulations. Any claim on the warranty could be invalid if these requirements have not been met.

CONTENTS

General / Important Information	Page 4
Installation Instructions	Page 6
• Electrical Power Supply	
• Location of Radiator	
• Mounting of Radiator	
Operating Instructions	Page 10
• Controls	
• Switching On	
• Starting Off	
• Setting the temperature	
• Frost Protection	
• Keypad Locking (Anti-Tamper)	
Maintenance and Guarantee	Page 12

GENERAL INFORMATION

The Richmond has a special cast aluminium body specifically designed to assure maximum rate of heat radiation; the air circulation channels providing a very efficient convection effect.

Special heat conducting fluid in the aluminium body. A unique process provides bubble free filling so that the fluid delivers warmth from the heating element in a totally uniform way, ensuring that the entire surface of radiator provides comfortable heat.

Monotube heating element to ensure maximum heat output.

- Designed and fabricated in accordance with EN 60335-1, EN 60335-2 and EN 55014 (regulations for domestic appliances)
- Standard colour DP White (RAL 9010) – DPL White (RAL 9016)
- Class I
- 220–240V A.C.
- Wall mounted (by quick fixing system)
- On-off main switch (illuminated)
- Digital control with LCD display for temperature readings
- 3 push buttons – for raising the temperature, lowering the temperature and on/off
- Key-pad locking (anti-tamper)
- Frost protection in stand-by mode
- Electronic thermostat
- Low profile model available (DPL series)
- Fitted with connecting power cable 145cm long (without a plug)

Technical Data

MODEL	Number of Fins	Power Rating (W)	Size (mm)	Net Weight Kg.
DP 600	5	600	490 x 580 x100	9.3
DP 800	6	800	570 x 580 x 100	11.3
DP 1000	8	1000	730 x 580 x 100	14.7
DP 1300	10	1300	890 x 580 x 100	18.3
DP 1500	12	1500	1050 x 580 x 100	22.3
DPL 600	6	600	580 x 340 x 96	7.9
DPL 1000	10	1000	900 x 340 x 96	12.8
DPL 1500	15	1500	1300 x 340 x 96	19.2

Important Information

See Section “Installation Instructions – Location of Heater” for important notes regarding the sitting of the appliance.

Due to the surfaces of the heater becoming hot, it must not be positioned directly against or below inflammable surfaces.

Do not dry clothes or towels on the heater nor leave fabrics, magazines, spray cans, volatile substances or similar objects within 250mm of the heater.

In case of breakdown or damage turn off the appliance at the main On/Off switch and notify the supplier.

If the electricity cable gets damaged it must only be replaced by a technician appointed by the supplier. This will avoid possible risks and ensure that special tools are available if needed

This appliance is not intended to be used by persons (incl. children) with limited physical, sensory or mental capabilities, or who lack experience, except for those under supervision or have received instruction in the use of the appliance from a person responsible for their security.

Children must be supervised in order to ensure that they do not play with the appliance.

WARNING: In order to prevent overheating, do not cover this appliance. There has to be free movement of air around all surfaces of the appliance.



This symbol “DO NOT COVER”, is placed on the heater as a reminder to the user.

INSTALLATION INSTRUCTIONS:

Electrical Connection

A qualified electrician must carry out the electrical installation of this radiator. The electrical installation must comply with the current UK regulations. Any claim on the warranty could be invalid if these requirements have not been met.

The radiator requires a 230/240V 50/60Hz power supply.

Connecting wires:

- **Brown:** **Live**
- **Blue:** **Neutral**
- **Yellow-green:** **Earth**

The connecting wires must be of the appropriate section, in regards to the length of cable, type of cable and power rating of the apparatus.

The apparatus must be connected into a connecting box.

We recommend that the connecting box is positioned 100mm to the right of the apparatus and at 150mm above the floor.

According to regulations, the apparatus must be connected to the power supply by means of an all-pole circuit breaker with a contact gap of at least 3mm or by a thermal-magnetic circuit breaker.

Location

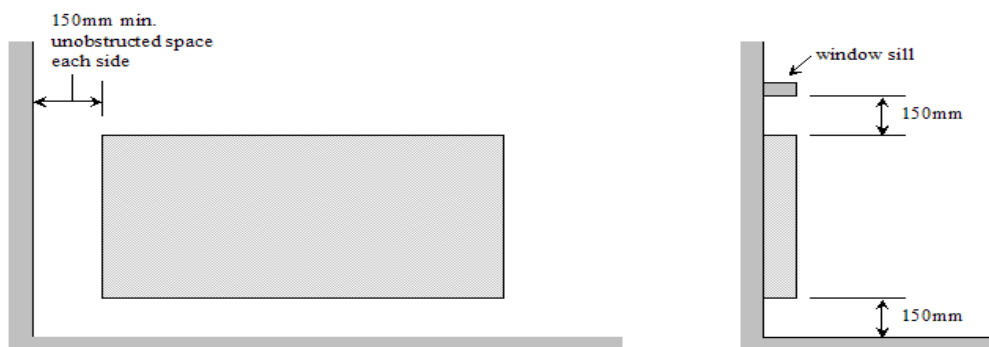
The ideal place to site the Ducasa radiator is as close as possible to coolest wall in the room but it is not recommended to site the radiator on un-insulated exterior walls, in this case, the part of the wall behind the radiator should be insulated.

In bathrooms, the radiators must not be sited inside the protected area. The control unit switches must not be reachable, directly or indirectly, by a person in the bath or shower.

The radiator, under no circumstances, should be installed below an electric power point.

Choose the location of the radiator in respect of the minimum distances that are indicated on Figure A.

Fig. A



Mounting The Radiator

Place the radiator on the floor. For radiators with up to 8 elements position the supports supplied with the radiator between first and second elements on both sides, as shown in Figure 1a. For radiators with more than 8 elements the supports should be positioned between the second and third elements on both sides, as Figure 1b.

Fig. 1a

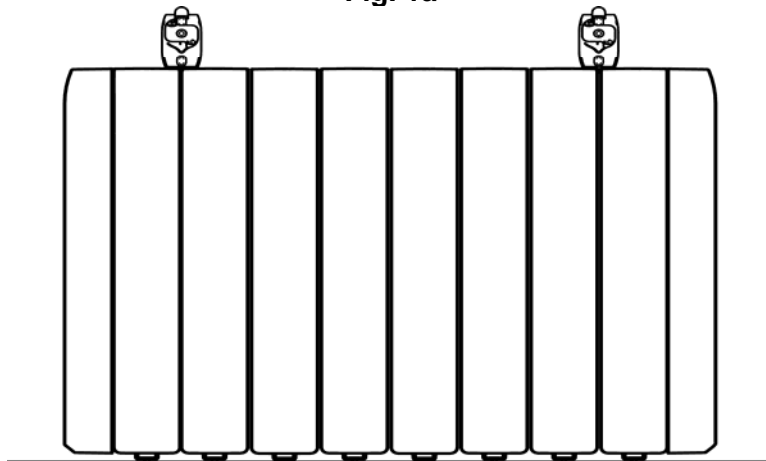
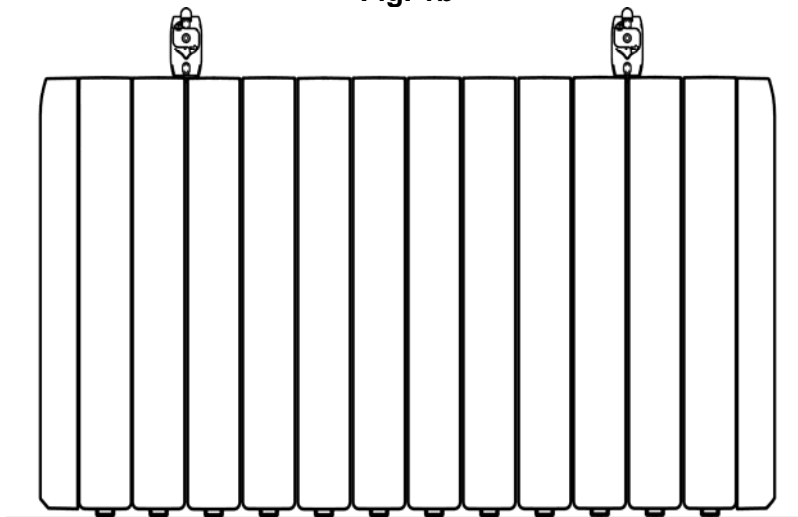


Fig. 1b



Place the supports between the elements as shown in Figure 2a, mark points on the walls through the fixing holes as shown in Figure 2b. This determines the spacing of the supports. Transfer these marks to whatever height above floor (min. 150mm) that has been decided for the radiator. Fix the supports to the wall with plugs and screws, as Figure 3. Be sure that the supports are mounted in the correct position.

Fig. 2a

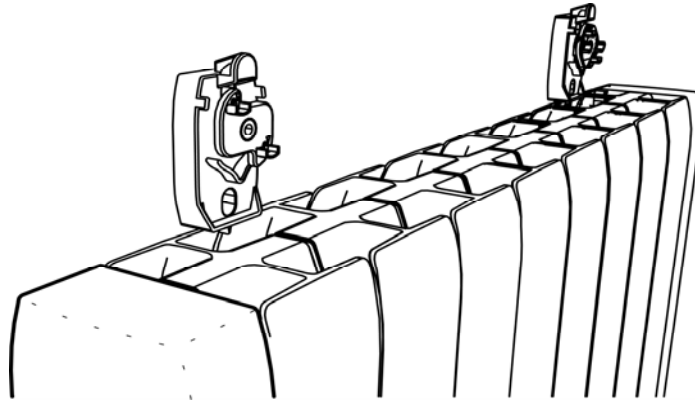


Fig. 2b

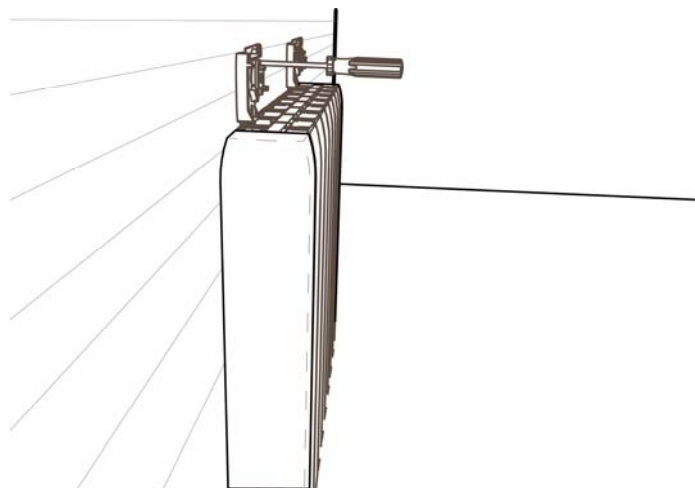
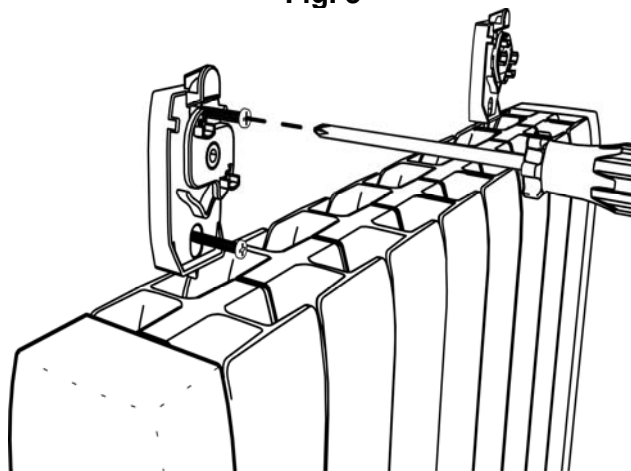


Fig. 3



Lift the radiator and hang it on the supports, as Figures 4a and 4b.

Fig. 4a

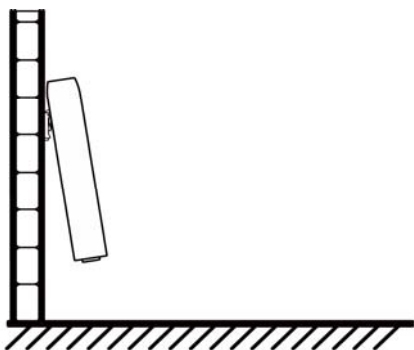
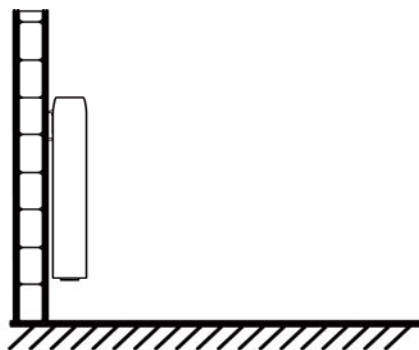
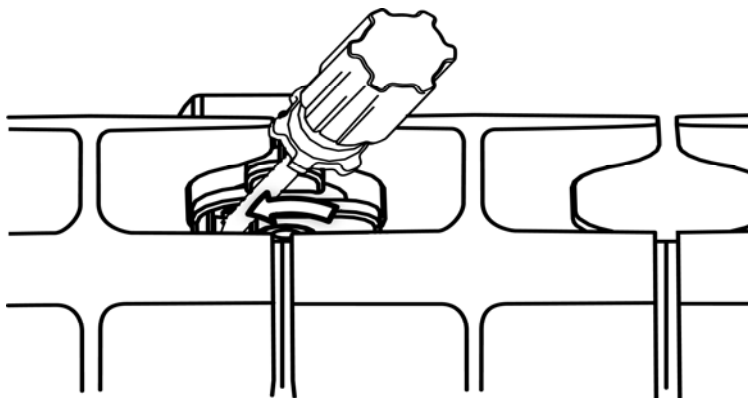


Fig. 4b

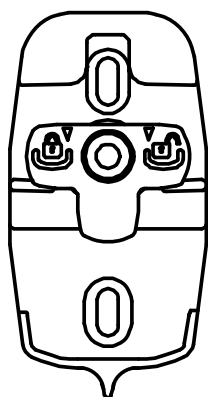


As soon as the radiator is hanging on the supports press on the locking plates (as Figure 5) until a click is heard. The radiator is now installed.

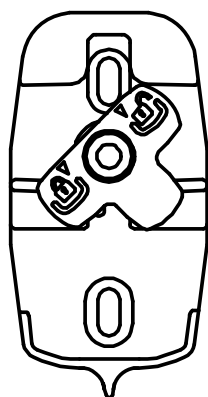
Fig. 5



DPL

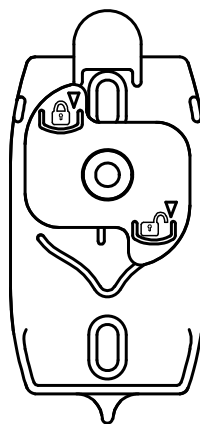


FREE

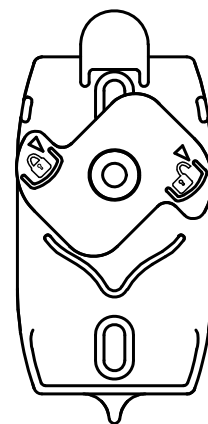


LOCKED

DP



FREE

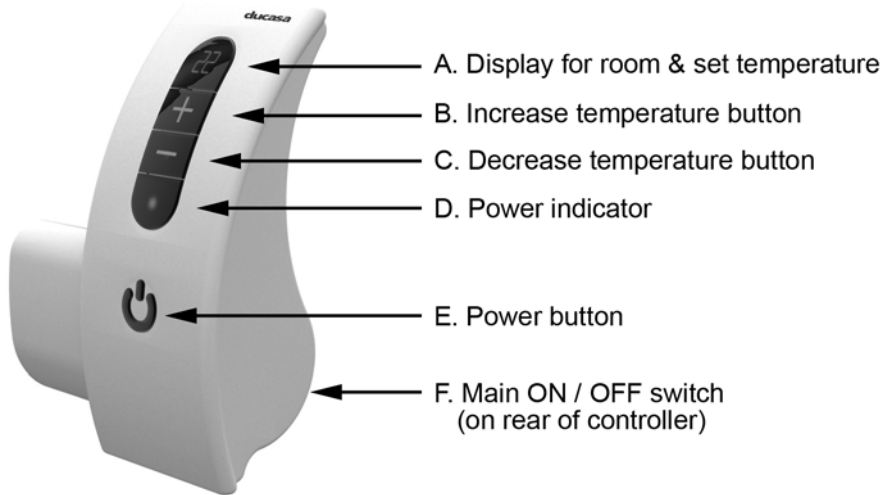


LOCKED

OPERATING INSTRUCTIONS:

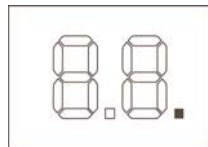
Controls

The control of the room temperature is by means of an electronic thermostat in the control unit mounted on the lower left hand side of the radiator.



Switching On

Press the main ON/OFF switch F (at back of control unit) from position O to position I. The display will be in the OFF mode and a single red dot will appear in the bottom right hand corner of the display, as shown below.



Starting Off

Press the button E to put the radiator in ON mode. The display A will show the current temperature set for the room. Should the room temperature be lower than the set temperature then the indicator light D will be lit to indicate that the heating element is in operation. This indicator light will remain lit until the room temperature reaches the set temperature.

Note: The temperature will be shown on the display as a whole number. If there is a red dot after the number this means that you must add 0.5°C to the temperature shown.

Press the button E again to return the radiator to the OFF mode. A single red dot will remain in the bottom right hand corner of the display.



Changing The Set Temperature

This is done with the + and - push buttons B and C, when the control unit is in the ON mode. The temperature can be set between 10°C and 32°C in increments of 0.5°C. The red dot after the temperature indicates the half degrees – see note in “Starting Off”.

Frost Protection

The thermostat includes a frost protection function. This function will turn on the heating element if the room temperature falls below 6°C. This function is automatically set when the radiator is turned ON at the main ON/OFF switch F but the control unit is in the OFF mode.

Keypad Locking

This function enables the user to lock the + and - push buttons B and C to prevent any unauthorised person (children, people in public places, nurseries, offices, hotels etc.) altering the set temperature of the radiator. To lock these buttons depress and hold the button E for five seconds. The display will show “b0” and, five seconds later the display will show the room temperature.



To unlock the keypad again depress and hold the button E for five seconds. The display will show “dE” indicating that the keypad is now unlocked.



None of the buttons are operative while the control unit is locked. If the locking was done in the ON mode the set temperature cannot be changed nor can the unit be moved to the OFF mode. If the locking was done in the OFF mode then the unit cannot be moved to the ON mode.

MAINTENANCE AND CARE

Ducasa radiators require very little maintenance.

The surfaces of the radiator must not be cleaned with an abrasive product or those containing granular substances.

We recommend regular cleaning with PH neutral products.

In order to clean the radiator, it is recommended that the electric power is switched off.

Guarantee

Your appliance is guaranteed for two years from the date of purchase – during this period we will repair or exchange, at our discretion, any faulty or defective parts providing the appliance has been used in accordance with the operating & installation instructions and has not been misused or mistreated in any way.

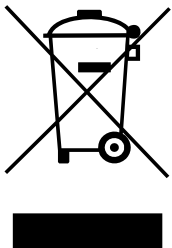
Any unauthorised repair or attempted repair will invalidate the guarantee.
This guarantee is additional to your statutory rights.

In the unlikely event of a problem with your appliance please contact your supplier.

Correct Disposal of This Product

(Waste Electrical & Electronic Equipment)

(Applicable in the European Union and other European countries with separate collection systems)



This marking shown on the product or its literature, indicates that it should not be disposed of with other household wastes at the end of its working life.

To prevent possible harm to the environment or human health from uncontrolled waste disposal, please separate this from other types of wastes and recycle it responsibly to promote the sustainable reuse of material resources.

Household users should contact either the retailer where they purchased this product, or their local government office, for details of where and how they can take this item for environmentally safe recycling.

Business users should contact their supplier and check the terms and conditions of the purchase contract. This product should not be mixed with other commercial wastes for disposal.

UK Distributor of Ducasa Products:

Heattend Products Ltd

Web: www.heattend.co.uk

Email: enquiries@heattend.co.uk